



NILES®



# CM850Si

8" STEREO INPUT

CEILING MOUNT LOUDSPEAKER



8" Stereo Input Ceiling Mount Loudspeaker with Pivoting Tweeter

- 8" TCC™ (Talc, Carbon, and Ceramic-Filled) Dual Voice Coil Woofer
- Dual 1" Teteron® Tweeters

SPECIFICATIONS SHEET

## 8 INCH STEREO INPUT CEILING MOUNT LOUDSPEAKER

### 8" Stereo Input Loudspeaker with Pivoting Tweeter

CM850Si

Stock Number

FG01482



#### Features

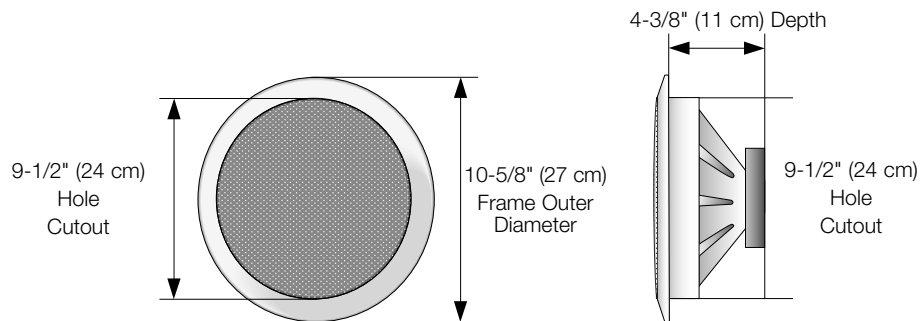
- Integrated woofer/baffle design delivers greater low frequency response by employing an 8" woofer
- Dual voice coil, injection-molded TCC™ (talc, carbon and ceramic) filled woofer reproduces left and right channel inputs from a single speaker
- Butyl rubber surround damps resonance and provides exceptional durability
- Dual 1" pivoting fluid-cooled Teteron® dome tweeters provide wide dispersion for clear and detailed high frequencies
- Bridge-mounted stereo imaging (SI) tweeter array directs the high frequency sounds from both the left and right channels at opposing angles to preserve stereo separation
- Includes flush-mount MicroPerf™ aluminum grille for a clean and unobtrusive look
- Weather resistant construction reduces installation limitations and provides unique solutions in moist environments like bathrooms or outdoors under eaves

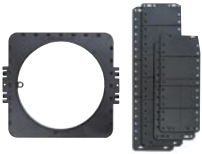



#### Specifications

- Frequency response: 50Hz to 21kHz +/-3dB
- Impedance: 8 ohm nominal; 6 ohm minimum
- Recommended amplifier power: 10 to 150 watts
- Frame dimensions: 10 5/8" diameter (27 cm)
- Hole cutout dimensions: 9 1/2" diameter (24 cm)
- Depth behind ceiling: 4 3/8" (11 cm)

Warranty: Lifetime Limited

## PRODUCT CONSTRUCTION AND ACCESSORIES



Loudspeaker Model		Works With			
Model	Stock Number	Previous Bracket	New Bracket	Metal Enclosure	Hole Cover
CM850Si	FG01482	 CM8 Series Bracket Kit FG00656	 CM800 BKT FG01487	 CE 8 FG00946	 CM800 Hole Cover FG01488